

## Manual Version 01

Make sure you have all the latest information needed to use and enjoy this product!

Visit [ternbicycles.com/support](http://ternbicycles.com/support) for updated:



MANUALS



COMPATIBILITY



ARTICLES



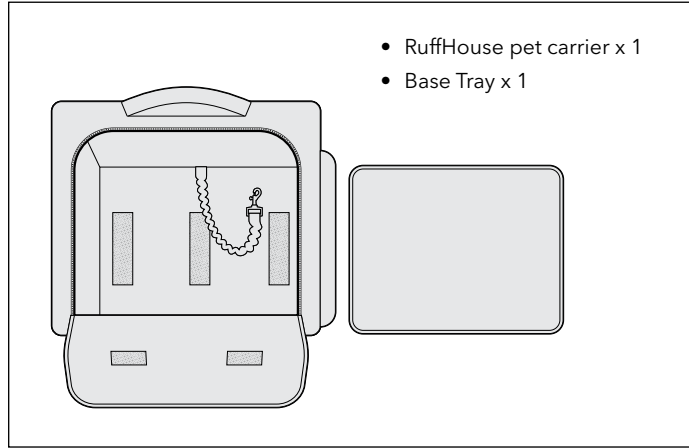
VIDEOS



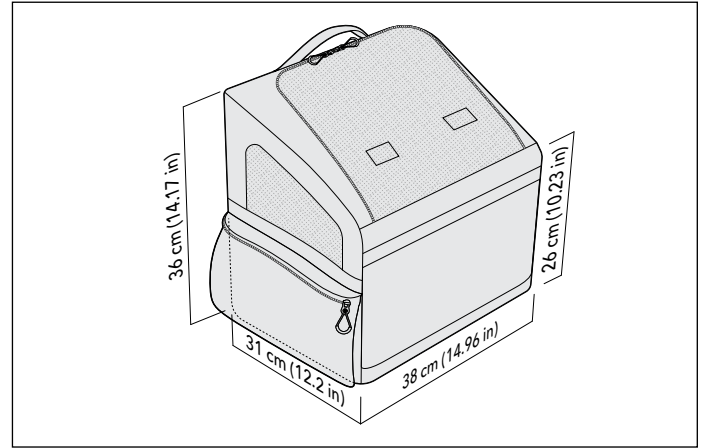
& MORE



## What's Included



## Dimensions



## Pet Safety Tips

RuffHouse is designed to carry a small-sized pet up to approximately 7 kg (15 lb) on compatible Tern bikes.

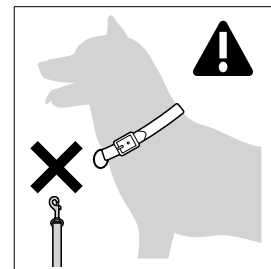
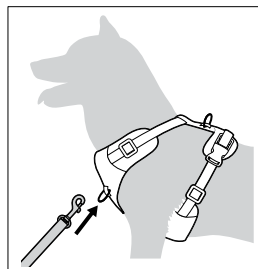
### Before riding

- Consult with your veterinarian or pet specialist if you have any questions or concerns about riding with your pet.
- Familiarize your pet with the RuffHouse before taking them on the bike. Place RuffHouse in a familiar environment so they can get used to how it feels and smells. Your pet may need some time before your first ride to become accustomed to the carrier.
- Don't rush the introduction, and use lots of positive reinforcement.

### On the bike

- Before riding, ensure RuffHouse is well-secured to your bike.
- Always attach the safety tether to your pet's harness to prevent them from jumping or wiggling out into potentially hazardous situations.

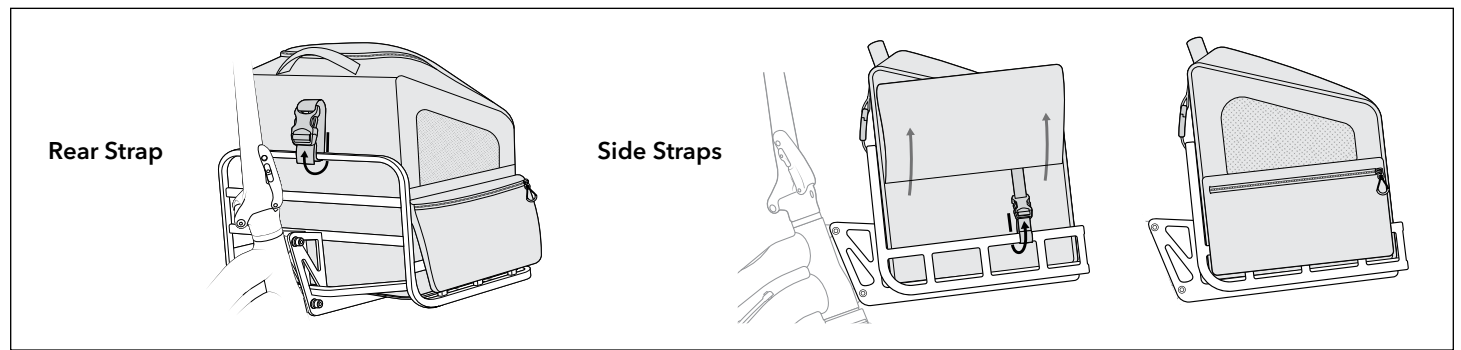
**⚠ Do NOT attach the tether to a collar—this may place unwanted strain on your pet's neck, leading to potential injury.**



- Practice riding with your pet in a calm, traffic-free area to build confidence.
- Make sure the first ride is a short and positive experience. Monitor your pet to make sure they remain calm and relaxed. Longer rides should wait until your pet feels comfortable on the bike.
- Do NOT leave your pet unattended on the bike, even if the kickstand is deployed. A wriggling pet can upset the balance of the bike and a fall may result in serious injuries.
- During your ride, periodically check that your pet is comfortable and stays adequately hydrated.
  - Tip: Use the side pockets to carry a travel water dispenser for your pet.

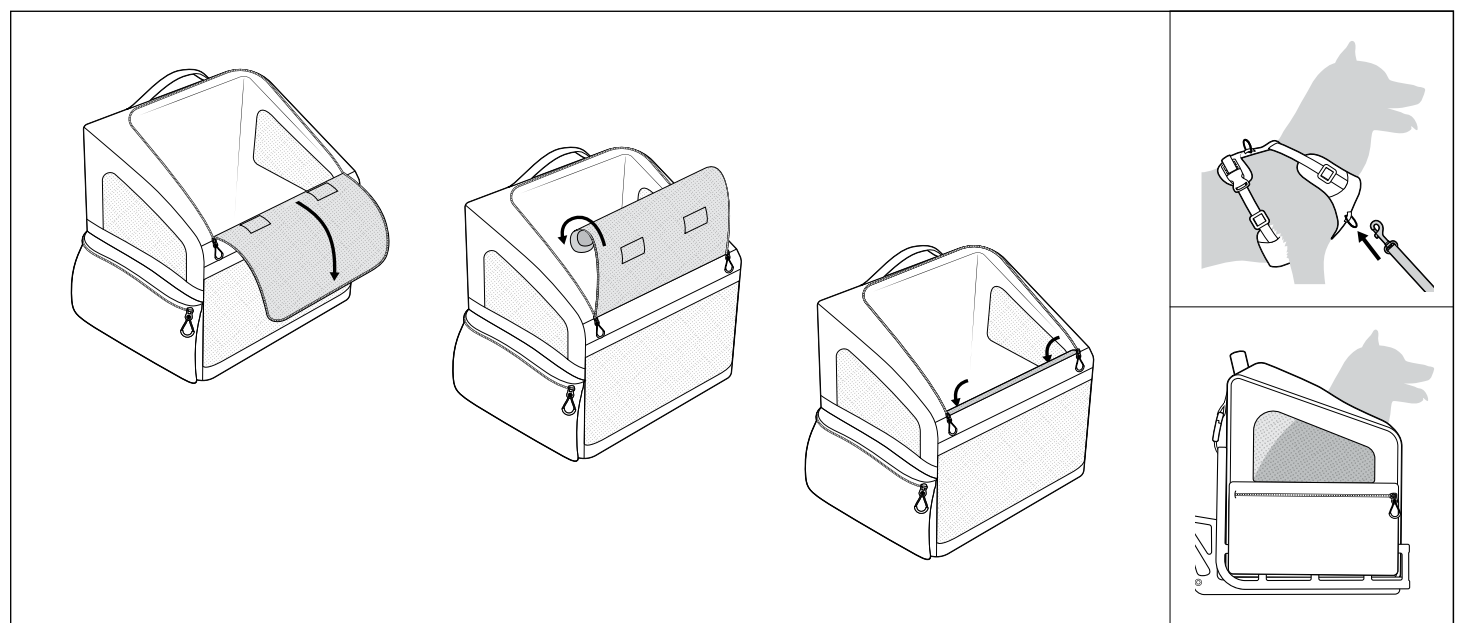
## Installation

- ⚠ Transporteur Rack™ (sold separately) must be equipped on your bike before RuffHouse can be installed.
- ⚠ Make sure your bike's front light isn't blocked by RuffHouse or your pet.



## Open-Top Mode

- ⚠ To be used on the bike only for well-trained pets.



## How to Clean

Brush inside of RuffHouse with lint roller or vacuum to remove pet hairs and dust. Gently wipe using dampened cloth with mild soap. Allow RuffHouse to air dry fully in a well-ventilated area before next use.

- ⚠ Do not machine wash. Do not machine dry.
- ⚠ Do not use bleach or other harsh chemicals to clean RuffHouse.

LIMITED PRODUCT WARRANTY INFORMATION: This Product comes with a ONE (1) YEAR Limited Warranty from the date of retail purchase by the original end-user. If a material or workmanship defect arises and a valid claim is received within the Warranty Period, this Product will be replaced. This warranty does not cover normal wear and tear, routine maintenance, or damages caused by misuse or improper care. For the full terms of this warranty, see [ternbicycles.com/warranty](https://ternbicycles.com/warranty)

TERN, tern (stylized), the Berd image, RuffHouse, and Transporteur Rack are registered trademarks of Mobility Holdings, Ltd. in the United States, EU, and other jurisdictions where they have been registered. In all other jurisdictions, Mobility Holdings, Ltd. asserts its rights in these marks to the fullest extent permitted by applicable law.

© 2025. Tern is a trademark of Mobility Holdings, Ltd. All Rights Reserved.

   @ternbicycles

[ternbicycles.com](https://ternbicycles.com)